



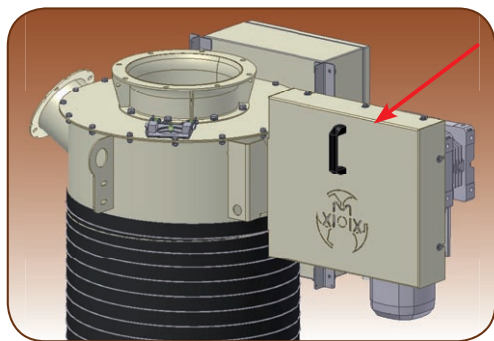
# MIX S.r.l.

QUALITY MANAGEMENT SYSTEM CERTIFICATE UNI EN ISO 9001:2000

## MIXING SYSTEMS AND COMPONENTS FOR PLANTS

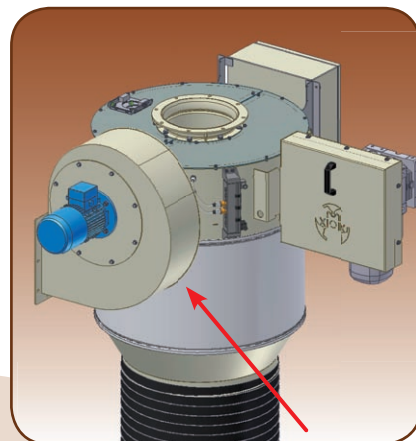
# LOADING BELLOWS XIMIX® TYPE SC.301

### EXCELLENCES :



**COMPACT DRIVE**  
*Easy Maintenance access*

**MODULAR DESIGN**  
◀ *with filter predisposition*  
*with assembled filter* ▶

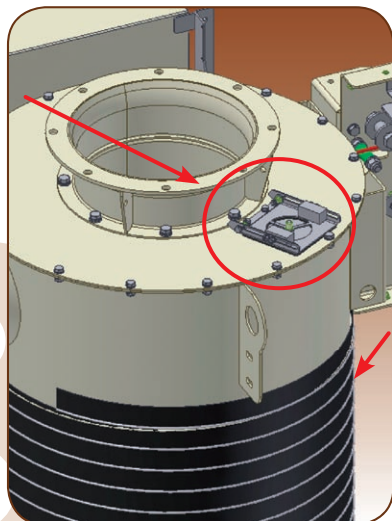


**BLOWERS**  
*Variety of power options*

### MODULAR VALVE

*Positive pressure / negative pressure control*

*It provides pressure balance at the duct, and it prevents possible pressure damage or deformation*



### MODULAR REINFORCED SHEATH

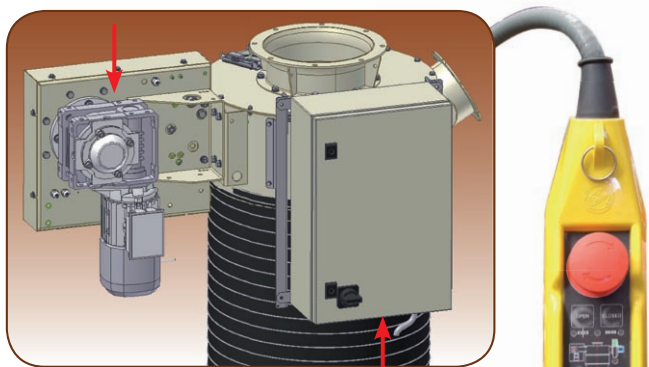
*Metal wire for containment and guide*

### INCORPORATED FILTER

- Compact
- Variety of modular filtering surfaces
- Pneumatic pulse jet cleaning

### MODULAR AUTO-BRAKING GEAR SYSTEM

*It provides the highest safety and accuracy while rising up and going down the loading spout*

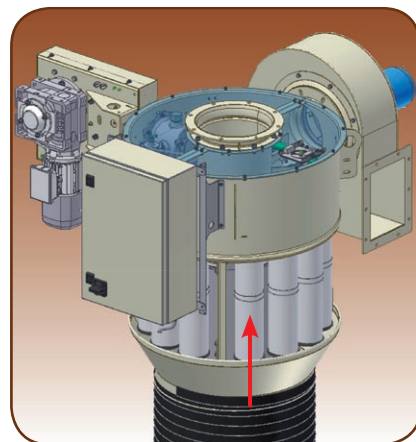


### ELECTRIC CONTROL BOARD (optional)

*With printed circuit board*

### PENDANT CONTROL PUSH BUTTON (optional)

- Graphic interface with LED indicator
- Phase check (motor Rotation controller with LED indicator)

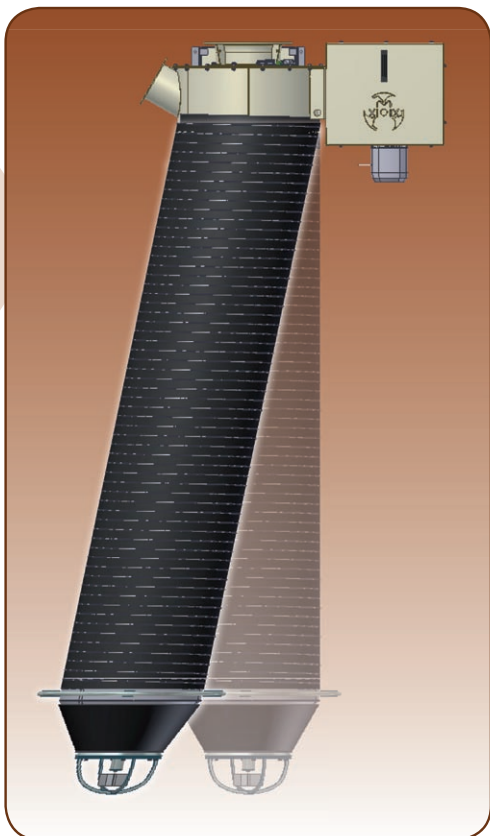


### FILTERING ELEMENTS

- Easy access to filtering elements
- Variety of filtering units

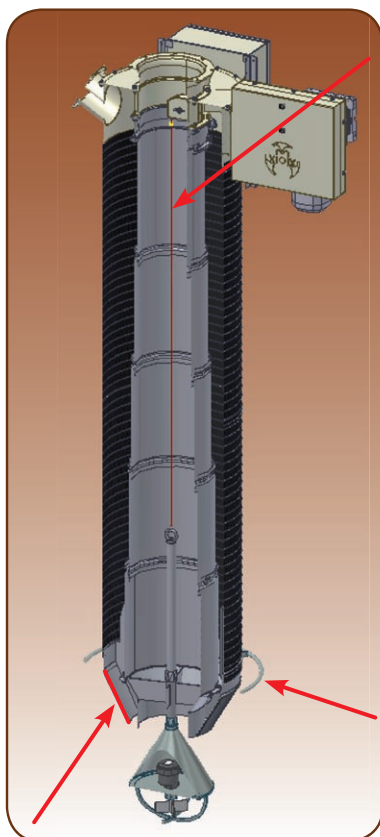
## 6 TRACTION CABLES

- *single cable*  
option with  
protected pulley
- *three cables*  
option with  
external pulley  
(Bulk Material  
contact free with  
pulley)



## MODULAR HINGED JOIN

Higher shifting and swinging angle for safer truck connection



## TELESCOPIC TUBES

- *Perfect sliding*
- *Maximum product fall by the increasing tube diameter*
- *Minimum wear*
- *Reduction of the powder generation*

## MODULAR SCHACKLE

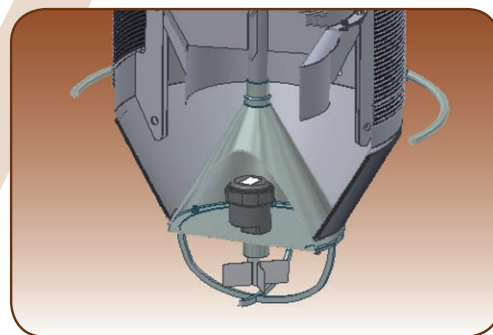
Accurate targeting for the discharge point

## MODULAR POSITIONING CONE

Special design conic rubber coating provides accurate targeting and maximum sealing

## 7 MODULAR CLOSING CONE

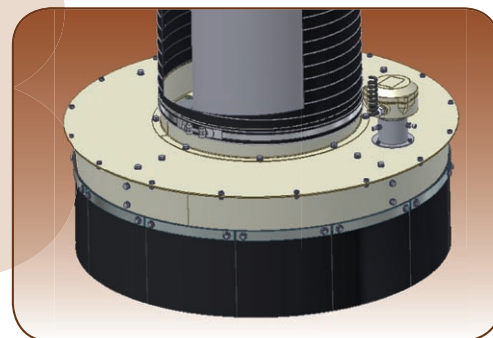
It prevents material leak while operating the loading spout phase of rising up or going down



## MODULAR LEVEL INDICATOR

## 8 SKIRT SOLUTION FOR OPEN TRUCK

Maximum product flow



## 9 MODULAR POSITIONING CONE

- *Fast and easy installation*
- *Reduction dimension*



## 10 VERTICAL PACKING