

100X100X70MM

LED BRICK SERIES

Description

LED Brick Light also called led paver light is designed for project on perfect landscape efficient.

This paver light is easy to install or embedded in stone, concrete and pavers. Widely used on squares, patios, walkways or plazas illumination.

Features: A unique and complete lighting solution . Use Stainless steel housing and frosted glass ensure it will stand up the traffic weight and better lighting effective .

Luminaire

Item reference:	WK-FL-S100x100WD2
Product typology:	LED brick light
Material: Housing	304Stainless steel
Material: Galss	12mm Tempered Glass
Overall Dimension	L100XW100XH70mm
IP Rating:	IP67
IK Rating:	IK10
Warranty:	3 Years

Light source

Light source:	SMD
Lumen output:	50lm/W
Power:	1.3W
CRI:	Ra>80
CCT:	3000K/4000K/5000K/6000K
Light emission:	120°
Life-span	50000Hrs

Electrical equipment

Input voltage:	DC12/24V
Operating Temperature:	-20~60°C

Accessories

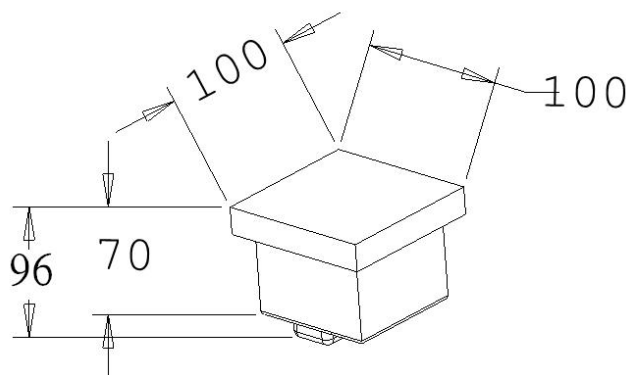
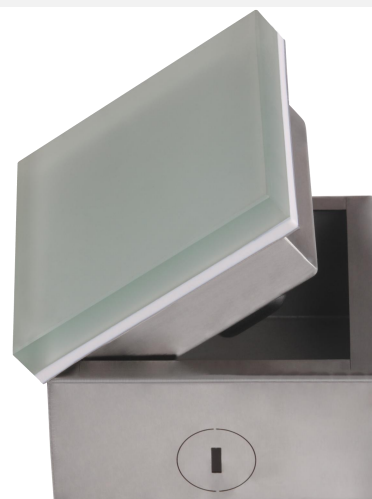
Product type:	Embedded box
Material:	Stainless steel
Overall Dimension:	L105XW105XH100mm

Application

Suitable for city square, commercial hotel, landscape night view design.

All LED Tile light up in the night time, the LED Tile has soft and dreamlike luster

Attracting visitors to stay to enjoy the beautiful night view.



200X100X70MM

LED BRICK SERIES

Description

LED Brick Light also called led paver light is designed for project on perfect landscape efficient.

This paver light is easy to install or embedded in stone, concrete and pavers. Widely used on squares, patios, walkways or plazas illumination.

Luminaire

Item reference:	WK-FL-S200x100WD2
Product typology:	LED brick light
Material: Housing	304Stainless steel
Material: Galss	12mm Tempered Glass
Overall Dimension	L200XW100XH70mm
IP Rating:	IP67
IK Rating:	IK10
Warranty:	3 Years

Light source

Light source:	SMD
Lumen output:	50lm/W
Power:	2.6W
CRI:	Ra>80
CCT:	3000K/4000K/5000K/6000K
Light emission:	120°
Life-span	50000Hrs

Electrical equipment

Input voltage:	DC12/24V
Operating Temperature:	-20~60°C

Accessories

Product type:	Embedded box
Material:	Stainless steel
Overall Dimension:	L205XW105XH100mm

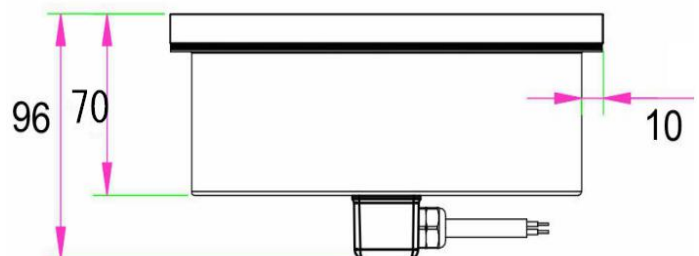
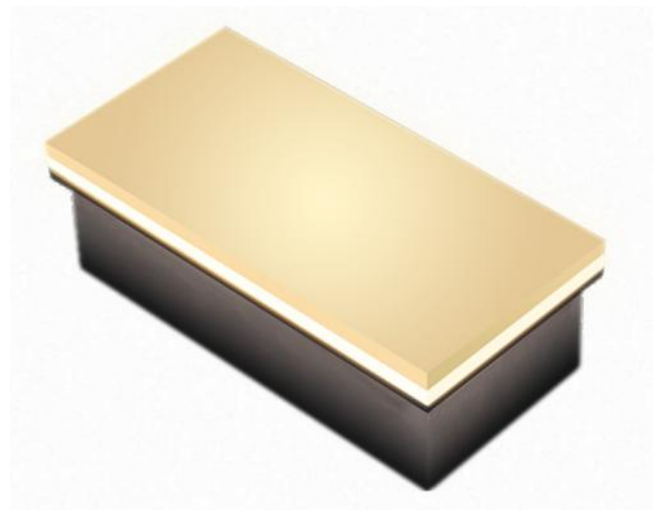
Application

Suitable for city square, commercial hotel, landscape night view design.

All LED Tile light up in the night time, the LED Tile has soft and dreamlike luster

Attracting visitors to stay to enjoy the beautiful night view.

Features: A unique and complete lighting solution . Use Stainless steel housing and frosted glass ensure it will stand up the traffic weight and better lighting effective .



200X200X70MM

LED BRICK SERIES

Description

LED Brick Light also called led paver light is designed for project on perfect landscape efficient.

This paver light is easy to install or embedded in stone, concrete and pavers. Widely used on squares, patios, walkways or plazas illumination.

Features: A unique and complete lighting solution . Use Stainless steel housing and frosted glass ensure it will stand up the traffic weight and better lighting effective .

Luminaire

Item reference:	WK-FL-S200x200WD2
Product typology:	LED brick light
Material: Housing	304Stainless steel
Material: Galss	12mm Tempered Glass
Overall Dimension	L200XW200XH70mm
IP Rating:	IP67
IK Rating:	IK10
Warranty:	3 Years

Light source

Light source:	SMD
Lumen output:	50lm/W
Power:	4.0W
CRI:	Ra>80
CCT:	3000K/4000K/5000K/6000K
Light emission:	120°
Life-span	50000Hrs

Electrical equipment

Input voltage:	DC12/24V
Operating Temperature:	-20~60°C

Accessories

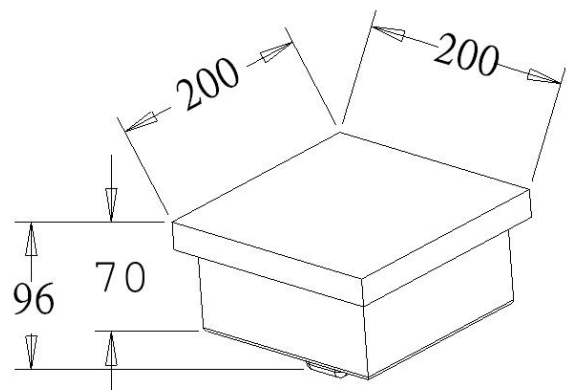
Product type:	Embedded box
Material:	Stainless steel
Overall Dimension:	L205XW205XH100mm

Application

Suitable for city square, commercial hotel, landscape night view design.

All LED Tile light up in the night time, the LED Tile has soft and dreamlike luster

Attracting visitors to stay to enjoy the beautiful night view.



300X300X70MM

LED BRICK SERIES

Description

LED Brick Light also called led paver light is designed for project on perfect landscape efficient.

This paver light is easy to install or embedded in stone, concrete and pavers. Widely used on squares, patios, walkways or plazas illumination.

Features: A unique and complete lighting solution . Use Stainless steel housing and frosted glass ensure it will stand up the traffic weight and better lighting effective .

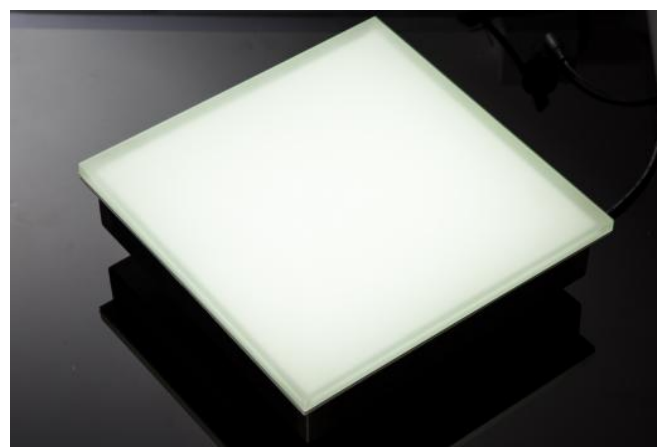
Luminaire

Item reference:	WK-FL-S300x300WD2
Product typology:	LED brick light
Material: Housing	304Stainless steel
Material: Galss	12mm Tempered Glass
Overall Dimension	L300XW300XH70mm
IP Rating:	IP67
IK Rating:	IK10
Warranty:	3 Years



Light source

Light source:	SMD
Lumen output:	50lm/W
Power:	7.8W
CRI:	Ra>80
CCT:	3000K/4000K/5000K/6000K
Light emission:	120°
Life-span	50000Hrs



Electrical equipment

Input voltage:	DC12/24V
Operating Temperature:	-20~60°C

Accessories

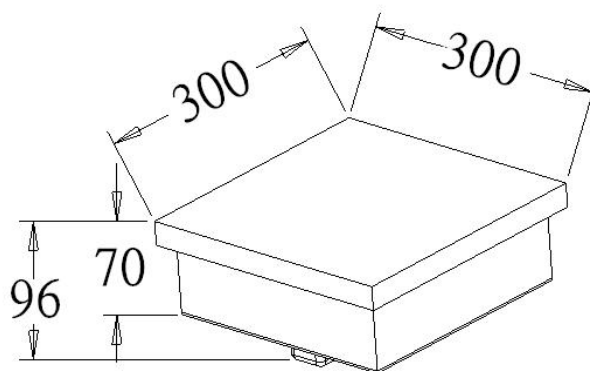
Product type:	Embedded box
Material:	Stainless steel
Overall Dimension:	L305XW305XH100mm

Application

Suitable for city square, commercial hotel, landscape night view design.

All LED Tile light up in the night time, the LED Tile has soft and dreamlike luster

Attracting visitors to stay to enjoy the beautiful night view.



1000X50X70MM

LED BRICK SERIES

Description

LED Brick Light also called led paver light is designed for project on perfect landscape efficient. This paver light is easy to install or embedded in stone, concrete and pavers. Widely used on squares, patios, walkways or plazas illumination.

Features: A unique and complete lighting solution . Use Stainless steel housing and frosted glass ensure it will stand up the traffic weight and better lighting effective .

Luminaire

Item reference:	WK-FL-S1000x50WD2
Product typology:	LED brick light
Material: Housing	304Stainless steel
Material: Galss	12mm Tempered Glass
Overall Dimension	L1000XW50XH70mm
IP Rating:	IP67
IK Rating:	IK10
Warranty:	3 Years



Light source

Light source:	SMD
Lumen output:	50lm/W
Power:	9W
CRI:	Ra>80
CCT:	3000K/4000K/5000K/6000K
Light emission:	120°
Life-span	50000Hrs

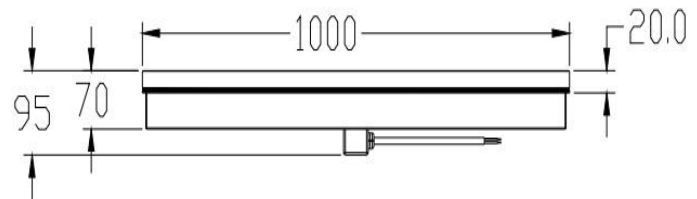


Electrical equipment

Input voltage:	DC12/24V
Operating Temperature:	-20~60°C

Accessories

Product type:	Embedded box
Material:	Stainless steel
Overall Dimension:	L1005XW55XH100mm



Application

Suitable for city square, commercial hotel, landscape night view design. All LED Tile light up in the night time, the LED Tile has soft and dreamlike luster Attracting visitors to stay to enjoy the beautiful night view.

1200X50X70MM

LED BRICK SERIES

Description

LED Brick Light also called led paver light is designed for project on perfect landscape efficient.

This paver light is easy to install or embedded in stone, concrete and pavers. Widely used on squares, patios, walkways or plazas illumination.

Features: A unique and complete lighting solution . Use Stainless steel housing and frosted glass ensure it will stand up the traffic weight and better lighting effective .

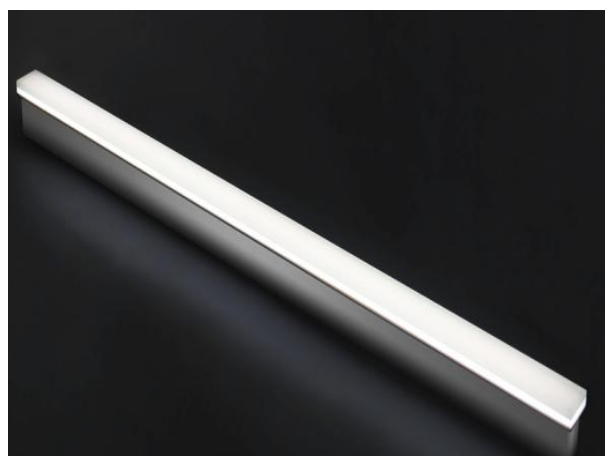
Luminaire

Item reference:	WK-FL-S1200x50WD2
Product typology:	LED brick light
Material: Housing	304Stainless steel
Material: Galss	12mm Tempered Glass
Overall Dimension	L1200XW50XH70mm
IP Rating:	IP67
IK Rating:	IK10
Warranty:	3 Years



Light source

Light source:	SMD
Lumen output:	50lm/W
Power:	15W
CRI:	Ra>80
CCT:	3000K/4000K/5000K/6000K
Light emission:	120°
Life-span	50000Hrs

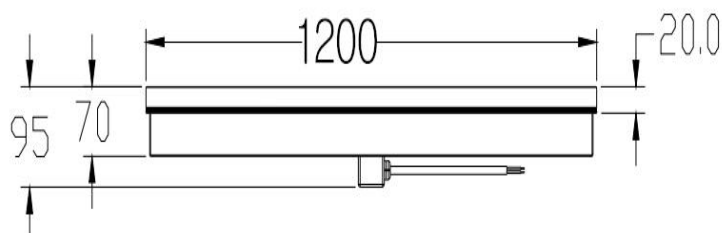


Electrical equipment

Input voltage:	DC12/24V
Operating Temperature:	-20~60°C

Accessories

Product type:	Embedded box
Material:	Stainless steel
Overall Dimension:	L1205XW55XH100mm



Application

Suitable for city square, commercial hotel, landscape night view design.

All LED Tile light up in the night time, the LED Tile has soft and dreamlike luster

Attracting visitors to stay to enjoy the beautiful night view.